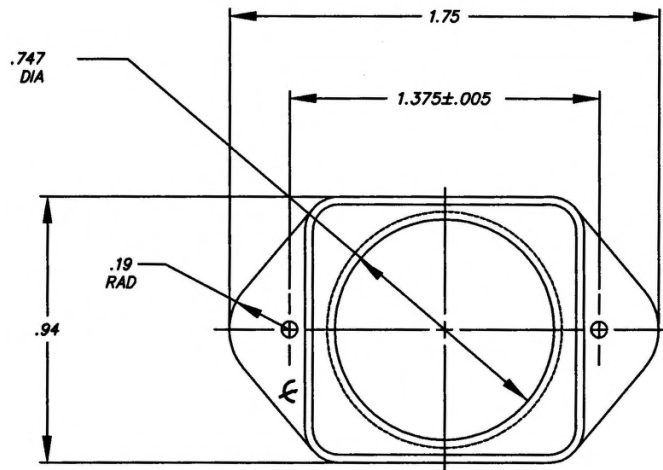
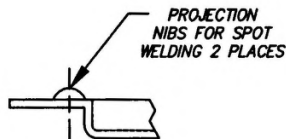
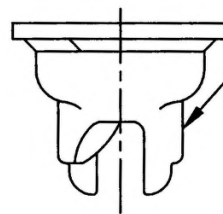


Camloc . Delron . Deutsch . Huck . K-Fast . Kaynar . Microdot . RAM . Rosan . Screwcorp . Tridair . Voi-Shan

MANUFACTURE OF THE PROPRIETARY PARTS SHOWN HERE WITHOUT WRITTEN CONSENT OF ARCONIC FASTENING SYSTEMS IS ABSOLUTELY PROHIBITED.



RECEPTACLE INSERT TO BE INSTALLED BEFORE MOUNTING (REF)



DETAIL-A
FOR PART NUMBERS:
706W AND 706WA

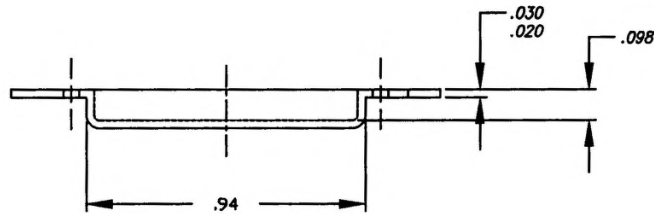



TABLE 1

PART NUMBER	MATERIAL	FINISH
706W	LOW CARBON STEEL	CADMIUM PLATE PER QQ-P-416, TYPE II, CLASS 3
706WA		ZINC PLATE PER ASTM B633 TYPE I, CLASS 5 WITH YELLOW CHROMATE
706WS	CRES,305	NONE

NOTES; UNLESS OTHERWISE SPECIFIED:

- FOR SHEET PREPARATION SEE CAMLOC CATALOG.

THIS DRAWING EMBODES A CONFIDENTIAL, PROPRIETARY DESIGN & ALL DESIGN, MANUFACTURING PRODUCTION, USE & SALE RIGHTS REGARDING SAME ARE EXPRESSLY RESERVED.

APPROVED DATE 9/25/2019	CURRENT DESIGN ACTIVITY:  ARCONIC	TITLE: CAGE 1.375 RECEPTACLE FLOATING SPOT WELD TYPE	CURRENT DESIGN ACTIVITY: CAGE CODE: 71286
REV. LETTER AND DATE B 9/25/2019 <i>JB</i>	Fastening Systems		SALES DRAWING NO.
DAF NUMBER 118548	Camloc Products 3018 W. Lamita Blvd. Torrance, California 90505	UNLESS OTHERWISE SPECIFIED DIMENSIONS ARE IN INCHES & ASME Y14.5M TOLERANCES:	706W () SHEET 1 OF 1

ANGLES = ±3°
DECIMALS .XX = ±.02
.XXX = ±.010